



CLASIFICACIÓN OLAS

Pos	Cat.	Nombre	Núm. Vela	1	2	3	4	5	D1	D2	Total	Sponsors	Club
1	S	Daniel Bruch	E-181	0,7							0,7	F2, Gaastra, O'neil, OTL, Radz, Ayuntamiento Granadilla de Abona	C Windsurf 77
2	S	Marcos Pérez	E-7	2,0							2,0	Exocet, Gun Sails, Qüiko, Toyota, Agüimes	C.Regata Suroest
3	S	Aleix Sanllehy	CAT-555	3,0							3,0	F2, Noth Sails, Fausto, Girocat, Style Arquitectura	Surfera Gironina
4	S	Christofer Ferreretto	E-99	4,0							4,0	Quatro, Secretsails, MFC, 720armour, El Duende	WAP
5	S	Eric Sanllehy	CAT-1111	5,0							5,0	F2, Noth Sails, Fausto, Girocat, Style Arquitectura	Surfera Gironina
6	M	Valter Scotto	TF-107	6,0							6,0	Maverx, AL360, Igara Renault, Why, Cabezo Shop	Cabezo Windsurf
7	S	Pablo Ruiz	E-235	7,0							7,0	Simmer Style, Killer Fish	IndependienteCar
7	S	Adam Lewis	K-516	7,0							7,0	Severne, OTC, O'shea, Pentax, Team Ardorn, Dirty Dog	C Windsurf 77
9	S	Ramon Pastor	E-72	9,0							9,0	Tabou, Gaastra, Radz, AL360, Select, PHB, Heliocare	CN Betulo
9	S	Luca Orsil	E-77	9,0							9,0	OLM, Maui Sails, B3, Granadilla de Abona, Igara Renault	C Windsurf 77
9	M	Per Smitz	TF-771	9,0							9,0	Dilyght	C Windsurf 77
9	J	Jose Romero	E-451	9,0							9,0	Simmer Style, Cutre, Qüiko	C Windsurf 77
13	S	Yann Terrien	TF-441	13,0							13,0	Lorch Boards, Loft Sails	IndependienteCar
13	S	Eric Terrein	TF-431	13,0							13,0	Goya, Windsahck	IndependienteCar
13	S	Jochen Stolz	E-174	13,0							13,0	Severne, Dlight, Mikes Sail Repair, Windsurftenerife.com	C Windsurf 77
13	M	Sandro Dalessio	TF-611	13,0							13,0	Maverx, Oxbow, AL360, Cabezo Shop	Cabezo Windsurf
17	S	Miguel Del Toro	E-52	17,0							17,0	Sailboards Tarifa, Ezzy Sails, Mormaii	CW Mar Azul
17	S	Jorge Vera	E-173	17,0							17,0	-	C Windsurf 77
17	J	Gerard López	E-49	17,0							17,0	Tabou, Gaastra, Radz, Select, PHB, Heliocare	WAP
17	S	Ivan Zecca	E-601	17,0							17,0	-	C Windsurf 77
17	S	Ismaele De Nuzzo	E-246	17,0							17,0	Cabezo Shop	Cabezo Windsurf
17	S	Graham Woods	K-96	17,0							17,0	Fanatic, North Sails, OTC, O'shea, Dirty Dog	C Windsurf 77
17	S	Ludo Jossin	E-12	17,0							17,0	F2, Loft, TFC, 33, Soörüz	C Windsurf 77
17	M	Marius Sola	E-79	17,0							17,0	Sailboards Tarifa/Girona, Ezzy Sails, Doctor X, Sapse.com	CN Betulo
25	S	Ivan Hernandez	E-172	25,0							25,0	Dilyght	C Windsurf 77
25	J	Omar Sánchez	E-33	25,0							25,0	Qüiko, Cutre, Simmer Style	C.Regata Suroest
25	S	Giacomo Venturini	E-143	25,0							25,0	-	C Windsurf 77
25	M	Alex Soler	CAT-27	25,0							25,0	Rrd, Simmer Style	WAP
25	J	Victor Mederos	E-321	25,0							25,0	Sun7	Fuerteventura Isla
25	S	Fernando Rioja	E-126	25,0							25,0	Consejeria Deportes, Viceconsejeria Turismo, Grupo Delfi, Base	WindriderMelilla
25	M	Michael Gotschmann	TF-66	25,0							25,0	Cabezo Shop, Mike's Sail Repair	C Windsurf 77
25	M	Xavier Torres	E-74	25,0							25,0	Jp Australia, Neil Pryde, Mormaii	WAP
33	J	Alessio Stillrich	E-95	33,0							33,0	Fanatic, North Sails, Cutre, AL360, Stillrich	IndependienteCar

MÁSTER

Pos	Cat.	Nombre	Núm. Vela	1	2	3	4	5	D1	D2	Total	Sponsors	Club
1	M	Valter Scotto	TF-107	0,7							0,7	Maverx, AL360, Igara Renault, Why, Cabezo Shop	Cabezo Windsurf
2	M	Sandro Dalessio	TF-611	2,0							2,0	Maverx, Oxbow, AL360, Cabezo Shop	Cabezo Windsurf
3	M	Per Smitz	TF-771	3,0							3,0	Dilyght	C Windsurf 77
4	M	Marius Sola	E-79	4,0							4,0	Sailboards Tarifa/Girona, Ezzy Sails, Doctor X, Sapse.com	CN Betulo
5	M	Alex Soler	CAT-27	5,0							5,0	Rrd, Simmer Style	WAP
5	M	Michael Gotschmann	TF-66	5,0							5,0	Cabezo Shop, Mike's Sail Repair	C Windsurf 77
5	M	Xavier Torres	E-74	5,0							5,0	Jp Australia, Neil Pryde, Mormaii	WAP

JUVENIL

Pos	Cat.	Nombre	Núm. Vela	1	2	3	4	5	D1	D2	Total	Sponsors	Club
1	J	Jose Romero	E-451	0,7							0,7	Simmer Style, Cutre, Qüiko	C Windsurf 77
2	J	Omar Sánchez	E-33	2,0							2,0	Qüiko, Cutre, Simmer Style	C.Regata Suroest
3	J	Alessio Stillrich	E-95	3,0							3,0	Fanatic, North Sails, Cutre, AL360, Stillrich	IndependienteCar
4	J	Gerard López	E-49	4,0							4,0	Tabou, Gaastra, Radz, Select, PHB, Heliocare	WAP
5	J	Victor Mederos	E-321	5,0							5,0	Sun7	Fuerteventura Isla

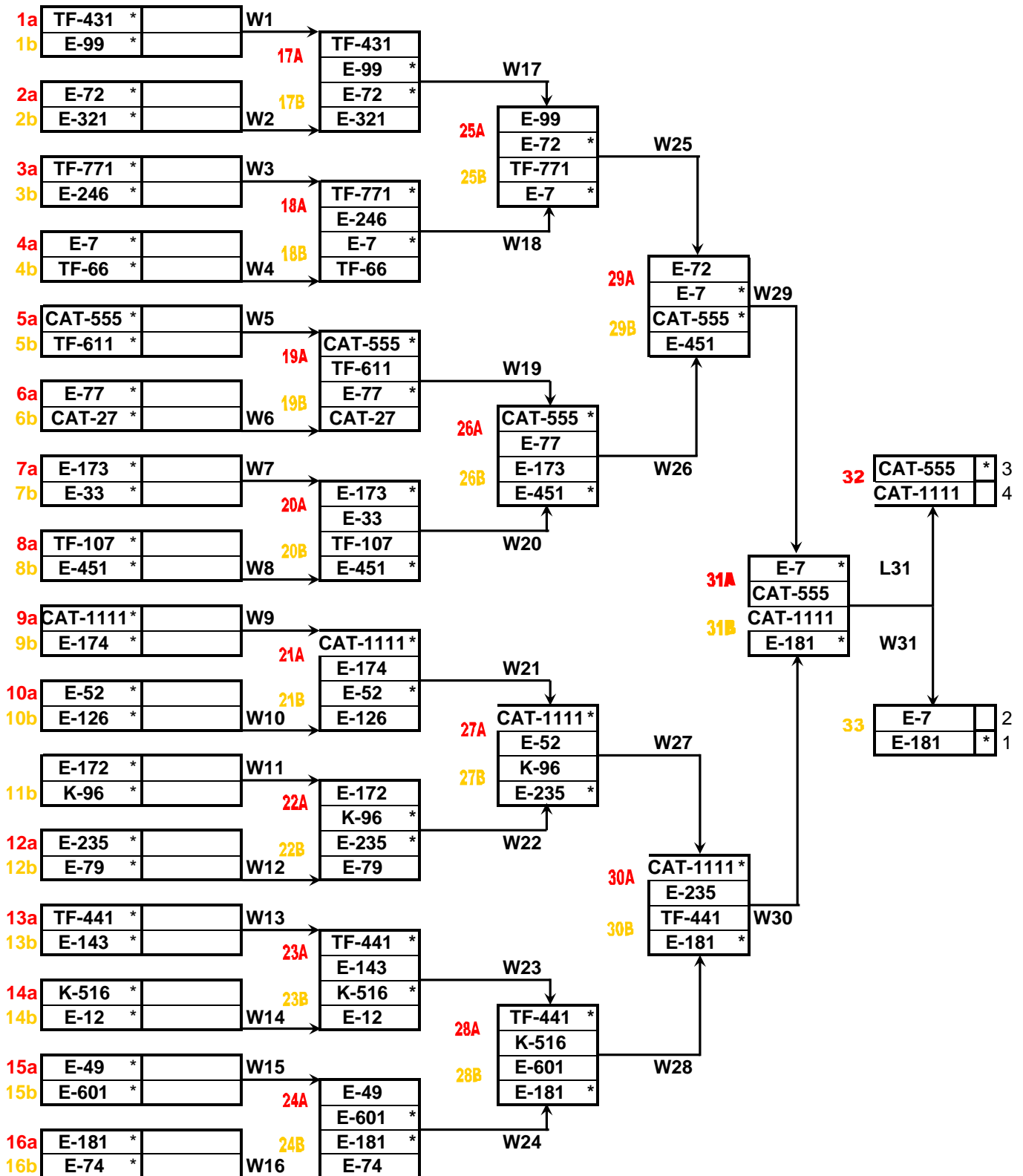
FÉMINAS

Pos	Cat.	Nombre	Núm. Vela	1	2	3	4	5	D1	D2	Total	Sponsors	Club
-----	------	--------	-----------	---	---	---	---	---	----	----	-------	----------	------



REAL FEDERACIÓN ESPAÑOLA DE VELA
XAVIER TORRES - SECRETARIO NACIONAL DE FUNBOARD

CIRCUITO ESPAÑOL DE FUNBOARD - CAMPEONATO DE ESPAÑA
PRUEBA: EL MEDANO - TENERIFE
Granadilla de Abona, 11,12 y 13 de abril 2008
Club Windsurf 77





REAL FEDERACIÓN ESPAÑOLA DE VELA
XAVIERTORRES-SECRETARIONACIONALDEFUNBOARD

CIRCUITO ESPAÑOL DE FUNBOARD - CAMPEONATO DE ESPAÑA

PRUEBA: EL MEDANO - TENERIFE

Granadilla de Abona, 11,12 y 13 de abril 2008

Club Windsurf 77

